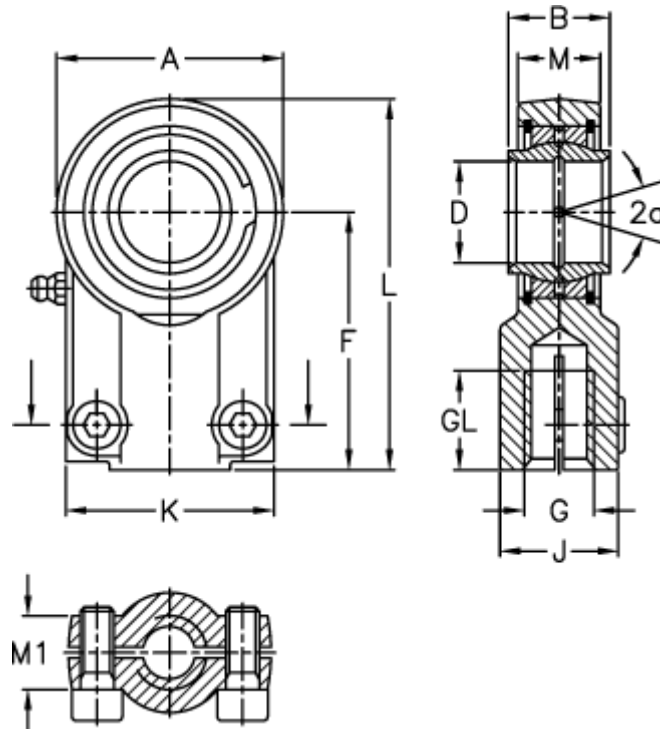


Article number: 03551080

Description: Fluro hydraulic rod end FPR 80CE

Measures



A	= 169.3	J	= 90
a (degrees)	= 4	K	= 148
B	= 80	L	= 270.60000000000002
D	= 80	M	= 67
Dynamic load C (kN)	= 400	M1	= 48
F	= 180	Static load C0 (kN)	= 695
g	= M64x3	Torque (N m)	= 410
GL	= 86	Weight	= 14500